

ZKTR202

- 2 Megapixel high-performance CMOS
- Analog HD output up to 1080P resolution
- True Day/Night
- OSD menu, 3D DNR, Smart IR
- Up to 20m IR distance
- IP66 weatherproof
- UTC Functon (Pelco C protocol)



CMOS Sensor



IR Cut Remover



BNC



True Day / Night



IP66



1.3MP / 2MP

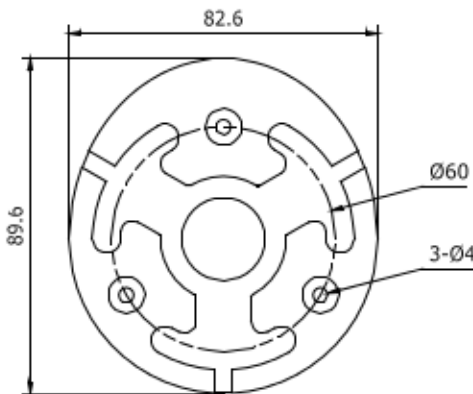
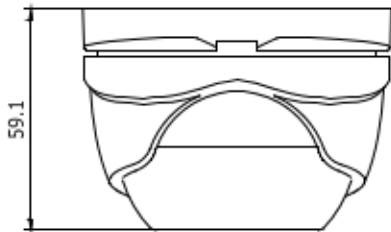


Smart IR



DNR

Dimensions (unit : mm)



Specification

| | |
|-------------------------------------|---|
| Model | ZKTR202 |
| Parameter | 1080p IR Analog HD Camera |
| Image Sensor | 1/3" Progressive Scan CMOS |
| Signal System | PAL/NTSC |
| Effective Pixels | 1920(H)*1080(V) |
| Min. illumination | 0.01 Lux @(F1.2,AGC ON), 0 Lux with IR |
| Shutter Time | 1/25 (1/30) s to 1/50,000 s |
| Lens | 3.6mm Angle of View: 80.9°(3.6mm), 103.5°(2.8 mm), 54.3°(6mm) |
| Lens Mount | M12 |
| Angle Adjustment | Pan: 0 - 360°, Tilt: 0 - 90°, Rotation: 0 - 360° |
| Day & Night | ICR |
| Synchronization | Internal synchronization |
| Video Frame Rate | 1080p@25fps / 1080p@30fps |
| HD Video Output | 1 Analog HD output |
| CVBS Output | 1Vp - p Composite Output(75Ω/ BNC) |
| S/N Ratio | More than 52dB |
| Scene | Indoor, Outdoor, Indoor1, LOW-LIGHT |
| Camera ID | On/off (15 characters, position programmable) |
| AGC | Support |
| D/N Mode | Color/BW/EXT |
| White Balance | ATW, AWC - SET, Indoor, Outdoor, Manual |
| Privacy Mask | On/Off, maximum 8 zones |
| Motion Detection | On/Off, maximum 4 zones |
| BLC | Support |
| Anti-flicker | On/off |
| Language | English, Japanese, CHN1, CHN2, Korean, German, French, Italian, Spanish, Polish, Russian, Portuguese, Dutch, Turkish, Hebrew and Arabic |
| Functions | Eclipse, Digital noise reduction, Digital zoom (62x), Slow shutter, Mirror, Defog, Defect pixel correction, SMART D-ZOOM |
| Working Temperature/Humidity | -20 °C - 60 °C (-4 °F - 140 °F) Humidity 90% or less (non-condensing) |
| Power Supply | 12V DC |
| Power Consumption | Max. 4W |
| Weather Proof Ratings | IP66 |
| IR Range | Up to 20m |
| Communication | Up the coax(need UTC controller) Protocol: Pelco - C(Coaxitron) |
| Dimension | 89.6 × 59.1 mm (3.53" × 2.33") |
| Weight | 400g (0.88 lb) |