

ZKTR132

- 1.3 Megapixel high-performance CMOS
- HD output up to 720P resolution
- True Day/Night
- DNR, Smart IR
- Up to 20m IR distance
- IP66 weatherproof



CMOS Sensor



IR Cut Remover



BNC



True Day / Night



IP66



1.3MP / 2MP

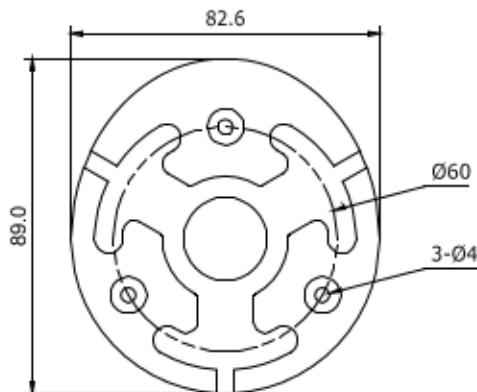
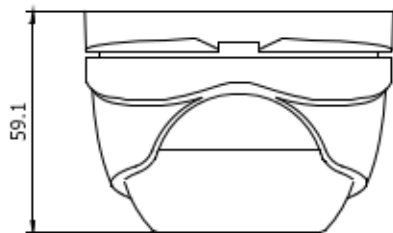


Smart IR



DNR

Dimensions (unit : mm)



Specification

Model	ZKTR132
Parameter	720p IR HD Camera
Image Sensor	1/3" Progressive Scan CMOS
Effective Pixels	1280(H)*720(V)
Min. illumination	0.01 Lux @(F1.2,AGC ON), 0 Lux with IR
Shutter Time	1/25(1/30) s to 1/50,000 s
Lens	3.6mm
	Angle of View: 76.88 °(3.6mm)
Lens Mount	M12
Angle Adjustment	Pan: 0 - 360°, Tilt: 0 - 90°, Rotation : 0 - 360°
Day & Night	ICR
Synchronization	Internal synchronization
Video Frame Rate	720p@25fps/720p@30fps
HD Video Output	1 HD output
S/N Ratio	More than 52dB
Working Temperature/Humidity	-40 °C - 60 °C (-40 °F - 140 °F) Humidity 90% or less (non-condensing)
Power Supply	12V DC
Power Consumption	Max. 3.5W
Weather Proof Ratings	IP66
IR Range	Up to 20m
Dimension	89.6 × 59.1 mm (3.53" × 2.33")
Weight	400 g (0.88 lb)