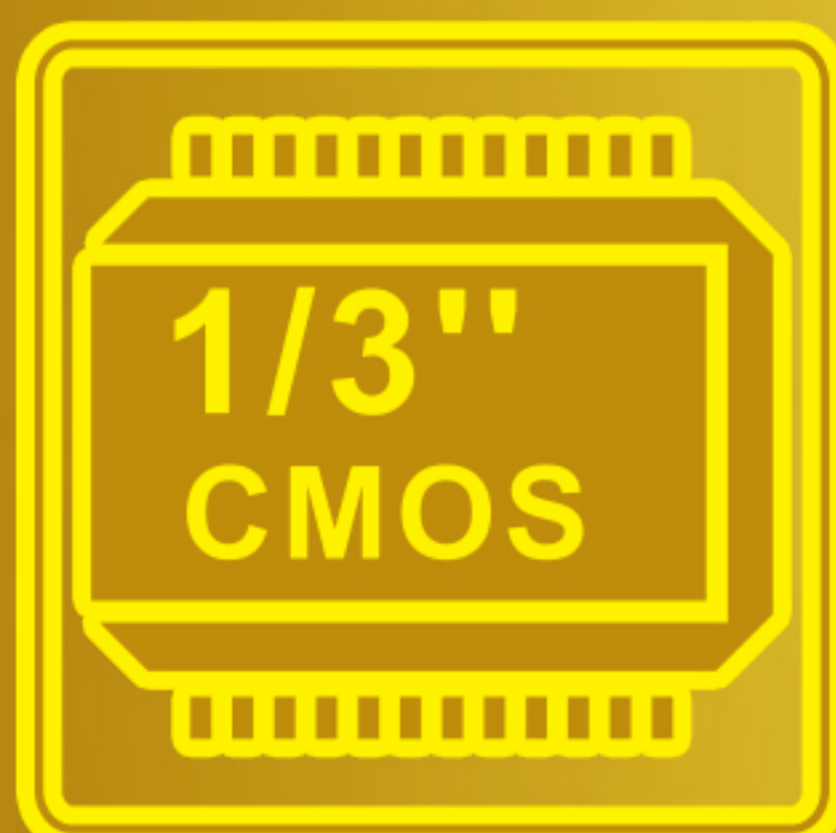




HT-99D10



Sensor



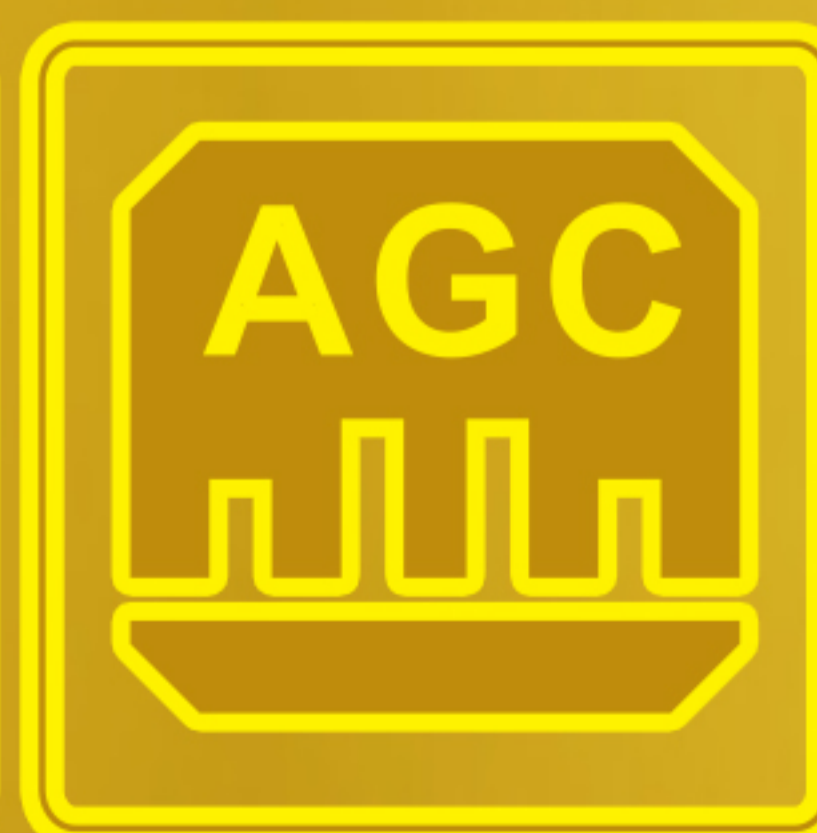
Min.
illumination



Day&Night



Auto WB



AGC



Water-proof

HT-99D10



Sensor



Min. illumination



Day&Night



Auto WB



AGC

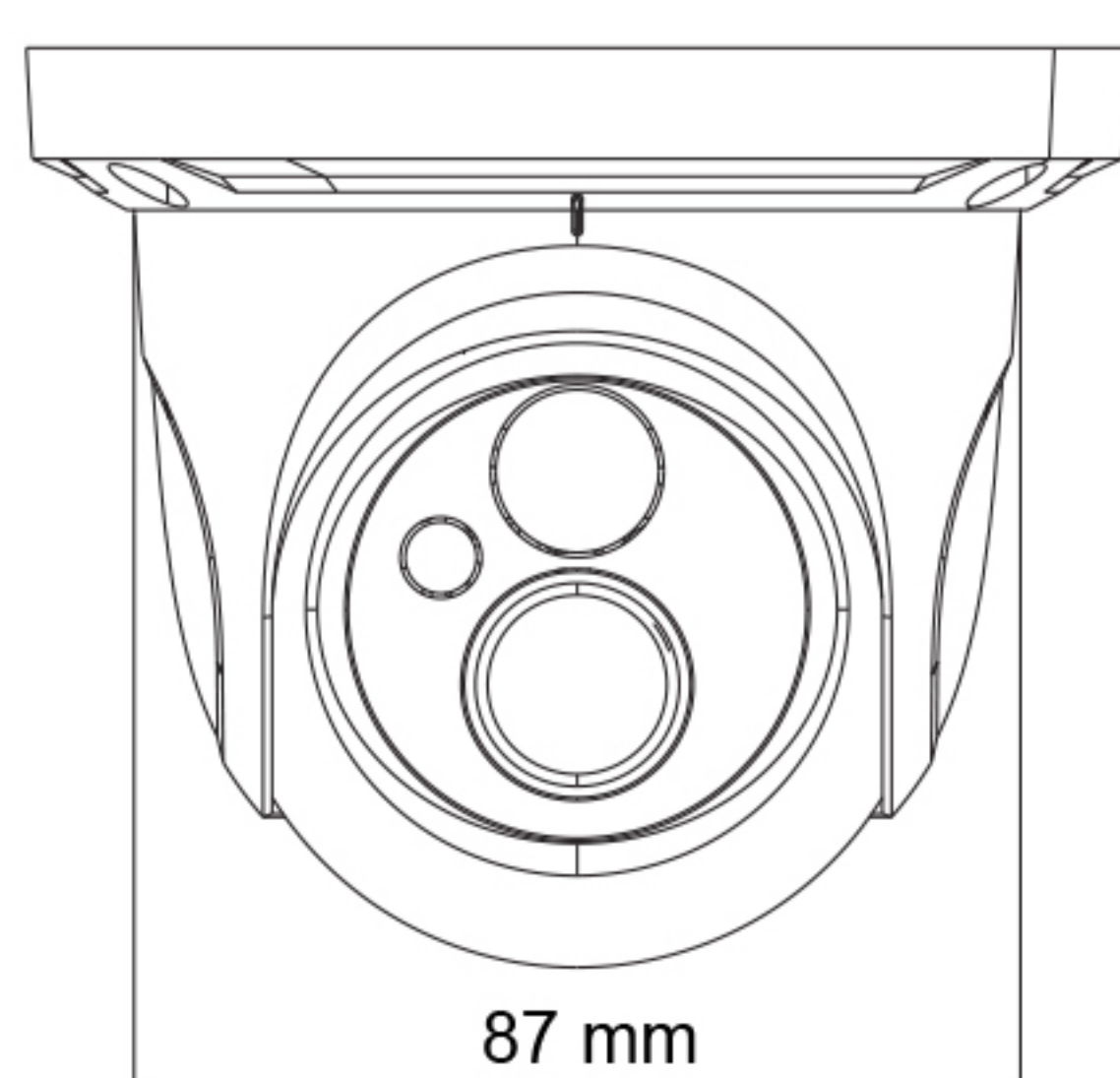
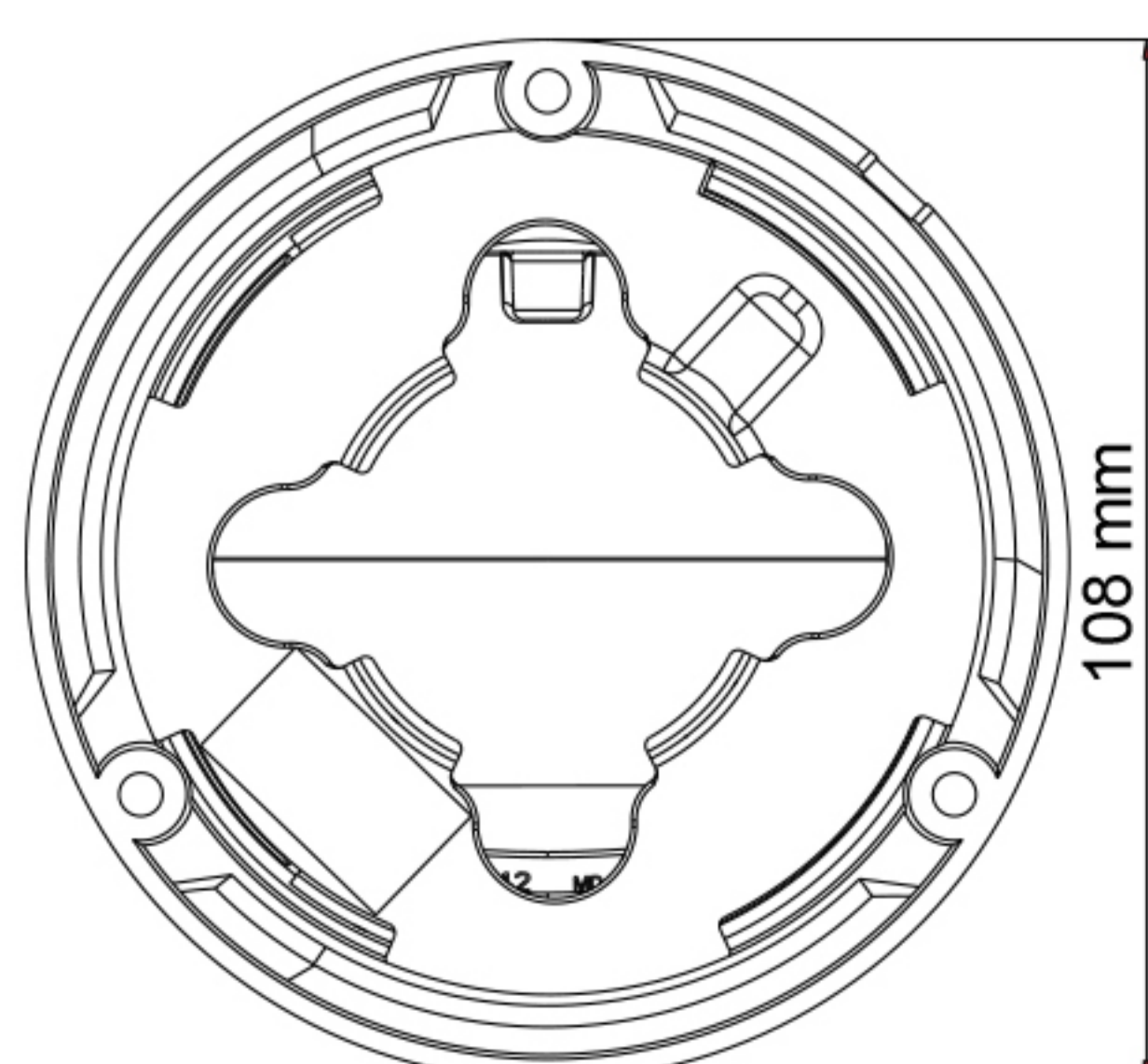


Water-proof

Features

- 720P real time image, high resolution, true color
- HD TVI lossless video output
- CMOS progressive scan, perfectly capture the moving object
- High speed, long distance, real time transmission
- Auto color to B / W at low illumination
- Support ICR switch, true day / night
- Support noise reduction function
- 10 ~ 20m IR night view distance, matrix lights and LED lights optional
- IP66 ingress protection

Dimensions



Specifications

Model	HT-99D10
Specifications	
Camera	
Image Sensor	1 / 3 "CMOS
Resolution	1280 x 720
Image System	PAL / NTSC
Min. Illumination	0 Lux (LED ON)
Lens	3.6 mm (2.8 mm, 6 mm optional)
IR Distance	10 ~ 20 m
Water-proof	IP 66
Video Output	BNC x 1
Image Size	720P (1280 x 720)
Frame Rate	30 fps (60 Hz), 25 fps (50 Hz)
Functions	
Day & Night	Yes (ICR)
S / N Ratio	> 52 dB (AGC off)
Electronic Shutter	1 / 50s ~ 1 / 50000s (PAL); 1 / 60s ~ 1 / 50000s (NTSC)
AGC	Yes
White Balance	Auto White Balance
Others	
Power Supply	DC 12V (± 10 %)
Working Environment	- 20 °C ~ 50 °C, 10 % ~ 90 % humidity
Dimensions (mm)	Φ 87 x 108